

JEROL

JEROL TECHNOLOGIES INC.
95 ALLAURA BLVD.
AURORA, ONT., L4G 3N2
905-726-3817

PROJECT: 1632 Upper James St., Hamilton

TITLE: ELEVATION & SECTION FOR NEW DOUBLE SIDED 10'x20' x9500mm OFFSET CENTRE MOUNT DIGITAL & STATIC DISPLAY

DATE: APR. 6/2021

SCALE: NOTED

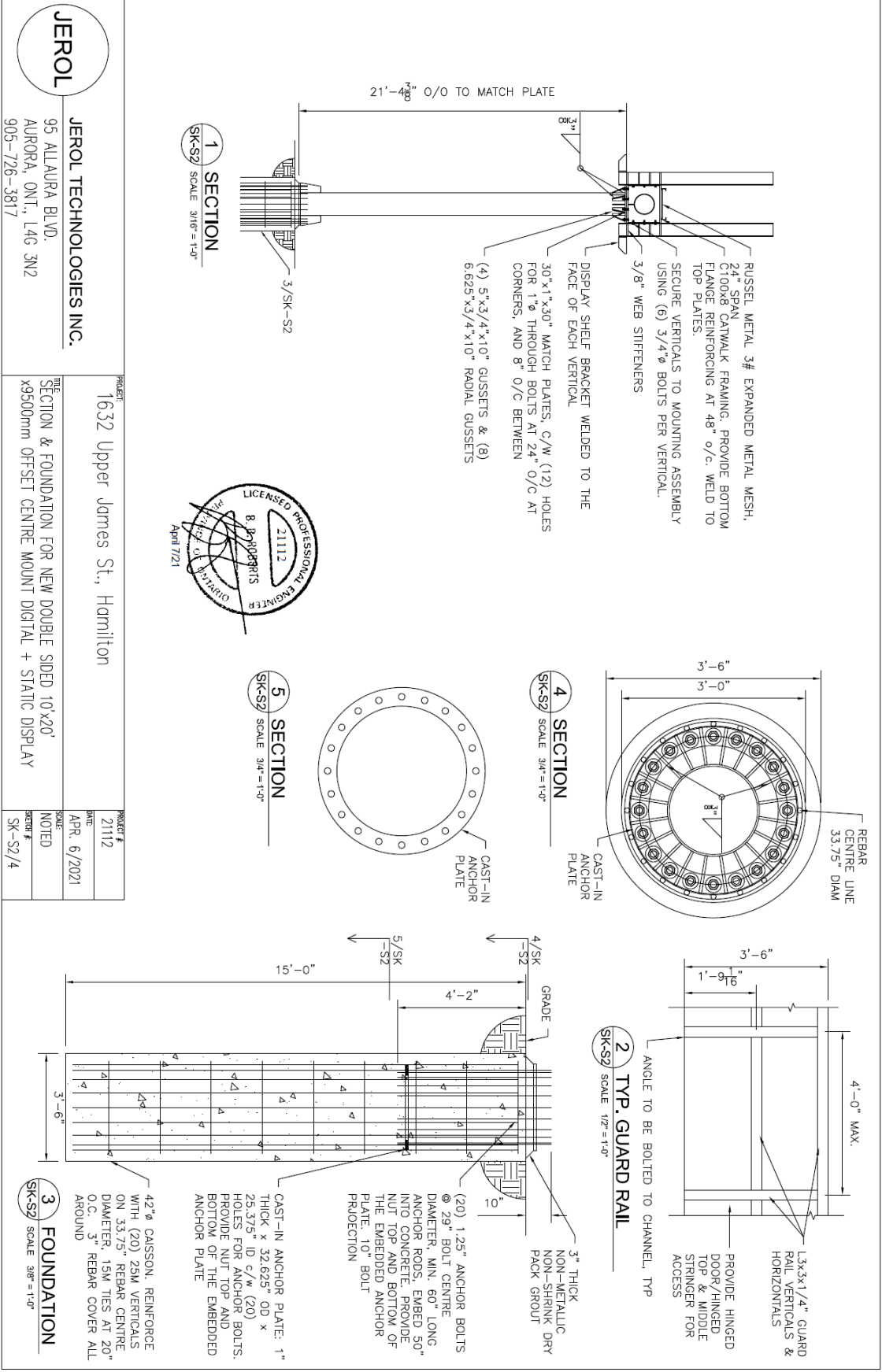
PROJECT # 21112

DATE: APR. 6/2021

SCALE: NOTED

SECTION # SK-S1/4

- NOTES:
1. ALL HSS TO CSA G40.21 - 350W
 2. ALL ROLLED SECTIONS AND PLATES TO CSA G40.21 - 300W
 3. ALL BOLTS TO BE MIN. A325
 4. FABRICATION, ERECTION AND HANDLING TO CONFORM TO CSA STANDARD S16.
 5. WELDING SHALL CONFORM TO CSA STANDARD W59 AND BE PERFORMED BY A FABRICATOR CERTIFIED TO CSA W47.1
 6. WELDING MATERIALS TO CONFORM TO CSA W48-W GROUND SMOOTH.
 7. ALL WELDING CONNECTIONS TO BE UNIFORM AND DEVELOP THE MOMENT CAPACITY AND HALF SHEAR CAPACITY OF THE THINNEST CONNECTED MEMBER
 8. PRIMER PAINT TO CONFORM TO CGSB 1-GP 40M OR CISC/CPMA 2-75
 9. DESIGN WIND LOAD: q50=0.46kPa (HAMILTON, ON) 10'x20' DIGITAL BOARD BACK TO BACK, 9500MM HIGH
 10. ICE LOAD: 0.24 kPa PER FACE
 11. CATWALK LIVE LOAD: 3.6 kPa
 12. ALL HSS TO BE CAPPED
 13. ALL EXPOSED STEEL TO BE GALVANIZED
 14. ASSUMED UNIT WEIGHT OF 18 kN/m³, AND PASSIVE SOIL RESISTANCE FACTOR (k_p) = 3
 15. REBAR TO CSA G30-12M GRADE 400
 16. CONTACT OUR OFFICE 48 HOURS PRIOR TO SIGN INSTALLATION TO ARRANGE FOR A SITE REVIEW DURING SIGN INSTALLATION
 17. PROVIDE DRAIN HOLES IN LOW POINTS OF ALL CLOSED TUBES
 18. THIS INSTALLATION HAS BEEN REVIEWED IN ACCORDANCE WITH PART 4 OF 2012 OBC.
 19. CONCRETE TO BE F'c = 25MPa AT 28 DAYS



JEROL

JEROL TECHNOLOGIES INC.

95 ALLAURA BLVD.
AURORA, ONT., L4G 3N2
905-726-3817

PROJECT: 1632 Upper James St., Hamilton

THE SECTION & FOUNDATION FOR NEW DOUBLE SIDED 10'x20' x9500mm OFFSET CENTRE MOUNT DIGITAL + STATIC DISPLAY


SCALE: NOTED

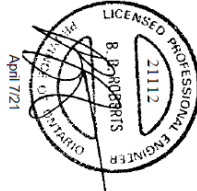
PROJECT # 21112

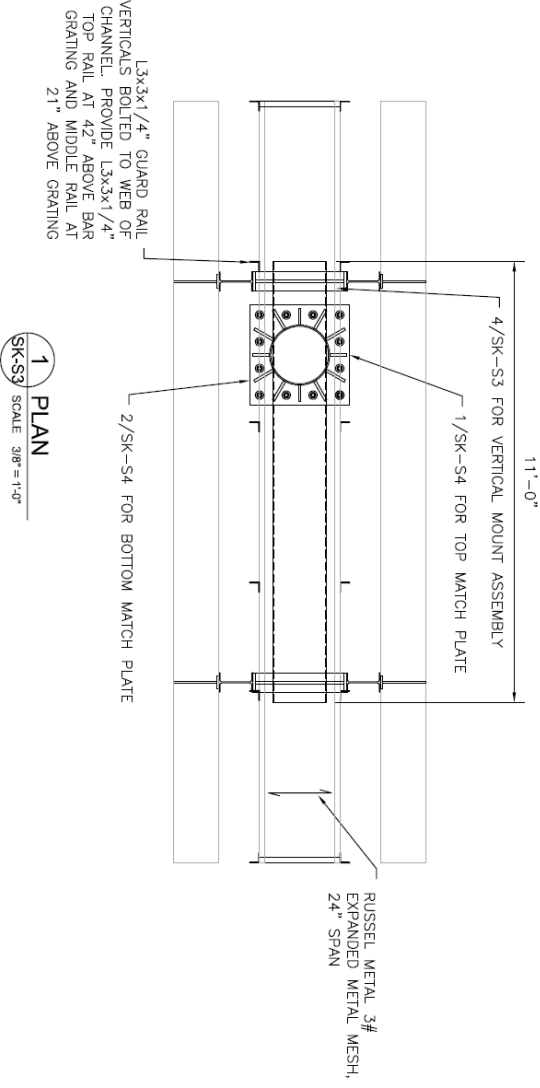
DATE: APR. 6/2021

SECTION # SK-S2/4

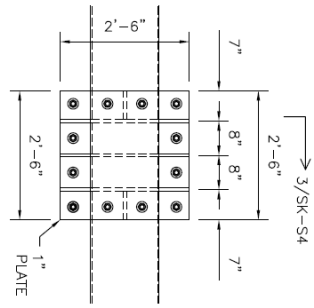


	<p>JEROL TECHNOLOGIES INC. 95 ALLAURA BLVD. AURORA, ONT., L4G 3N2 905-726-3817</p>	<p>PROJECT # 21112 DATE APR. 6/2021</p>	<p>PROJECT 1632 Upper James St., Hamilton</p>
<p>TITLE PLAN OF NEW DOUBLE SIDED 10'x20' x9500mm OFFSET CENTRE MOUNT DIGITAL + STATIC DISPLAY</p>		<p>SCALE NOTED</p>	<p>SHEET # SK-S3/4</p>

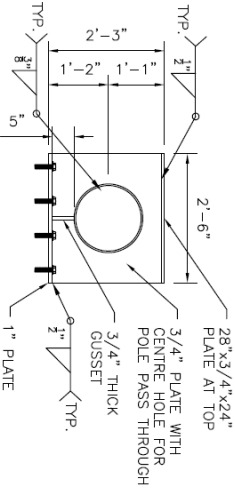




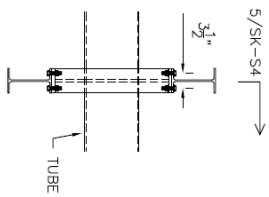
1 PLAN
SK-S3 SCALE 3/8" = 1'-0"



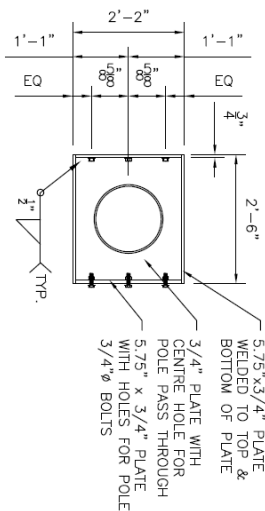
1 PLAN OF TOP PLATE
SK-S4 SCALE 1/2" = 1'-0"



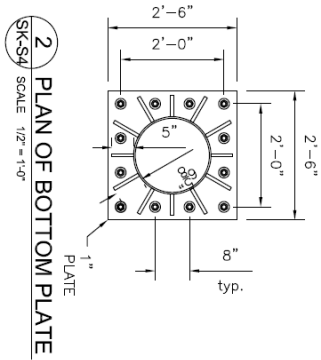
3 SECTION
SK-S4 SCALE 1/2" = 1'-0"



4 DETAIL
SK-S4 SCALE 1/2" = 1'-0"



5 VERTICAL MOUNT ASSEMBLY
SK-S4 SCALE 1/2" = 1'-0"



2 PLAN OF BOTTOM PLATE
SK-S4 SCALE 1/2" = 1'-0"

	JEROL TECHNOLOGIES INC. 95 ALLAURA BLVD. AURORA, ONT., L4G 3N2 905-726-3817	PROJECT #	1632 Upper James St., Hamilton
		TITLE	DETAILS OF NEW DOUBLE SIDED 10'x20' x9500mm OFFSET CENTRE MOUNT DIGITAL + STATIC DISPLAY
		DATE	21112
		SCALE	APR. 6/2021
		NOTED	
		SKETCH #	SK-S4/4

