

STREET DESIGN & FURNITURE STANDARDS FOR THE HAMILTON LRT CORRIDOR

APPENDICES

January 3, 2025

900 SERIES

BACKED - HDPE



MBE-0970-00060



MBE-0970-00061



MBE-0970-00062



MBE-0970-00063



MBE-0970-00064



MBE-0970-00065

DESCRIPTION: 900 Series - 970 Backed Bench: 70inL, Cast Aluminum Ends, Orange Peel Texture High Density Polyethylene Seat and Back, Two End Arms

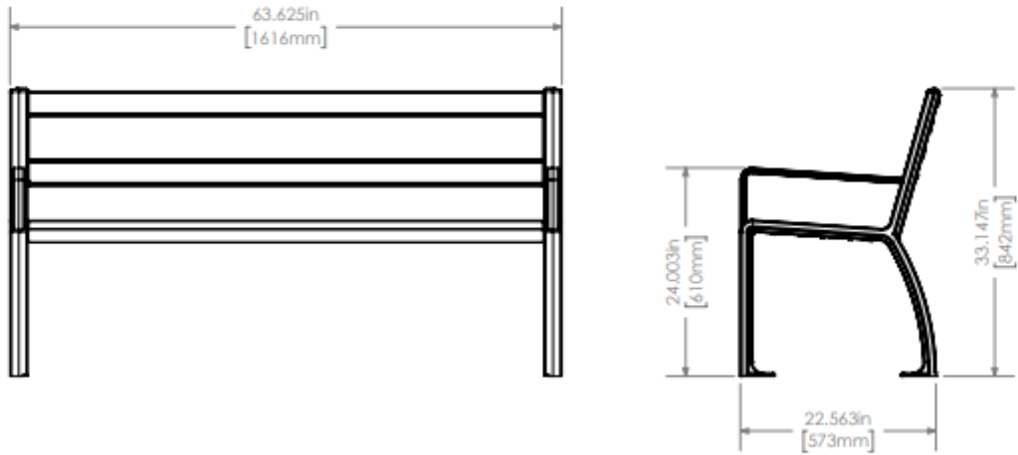
FINISH: All steel components are protected with E-Coat Rust Proofing. The Maglin Powdercoat System provides a durable finish on all metal surfaces.

INSTALLATION: The bench is delivered pre-assembled. Holes (0.5") are provided in each foot for securing to base.

TO SPECIFY: Select Model:
 - MBE-0970-00060 (Orange) - MBE-0970-00061 (Green) - MBE-0970-00062 (Black)
 - MBE-0970-00063 (Grey) - MBE-0970-00064 (Brown) - MBE-0970-00065 (Blue)

Choose:
 - Powdercoat Color

HEIGHT: 33.15" (84.2cm) LENGTH: 63.63" (161.6cm) DEPTH: 22.56" (57.3cm) WEIGHT: 94.6lbs (42.9kg)



T 800 716 5506
 F 877 260 9393
 www.maglin.com
 sales@maglin.com

- All drawings, specifications, design and details on this page remain the property of Maglin Site Furniture Inc. and may not be used without Maglin authorization.
 - Details and specifications may vary due to continuing improvements of our products.

900 SERIES

MBE-0970-00109



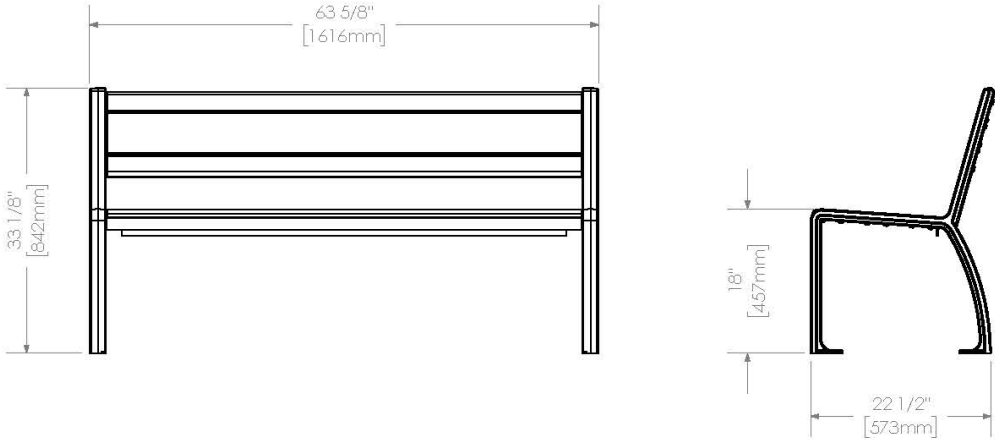
DESCRIPTION: 900 Series – 970 Backed Bench: 63.63in L, Cast Aluminum Ends, Orange Peel Texture High Density Polyethylene Seat and Back – Black Color, No End Arms – Both Arms Removed

FINISH: All steel components are protected with E-Coat Rust Proofing. The Maglin Powdercoat System provides a durable finish on all metal surfaces.

INSTALLATION: The bench is delivered pre-assembled. Holes (0.5") are provided in each foot for securing to base.

TO SPECIFY: Select MBE-0970-00109:
 Choose:
 - Powdercoat Color

HEIGHT: 33.15" (84.2cm) **LENGTH:** 63.63" (161.6cm) **DEPTH:** 22.5" (57.3cm) **WEIGHT:** 107lbs (48.5kg)

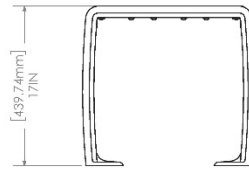
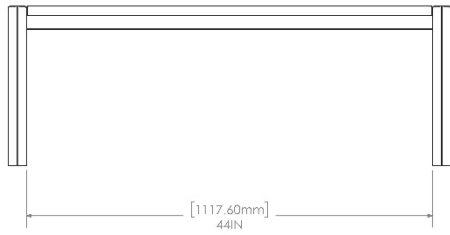
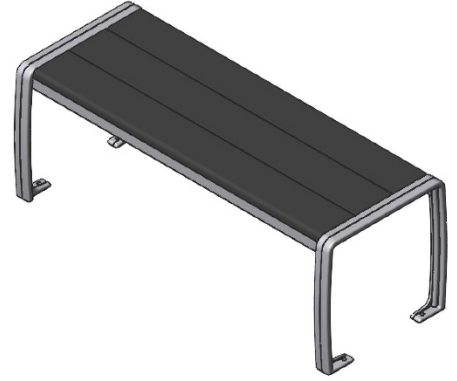
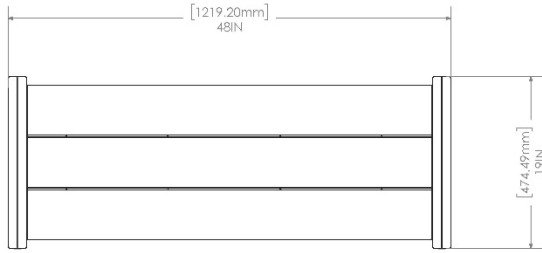




T 800 716 5506
 F 877 260 9393
 www.maglin.com
 sales@maglin.com

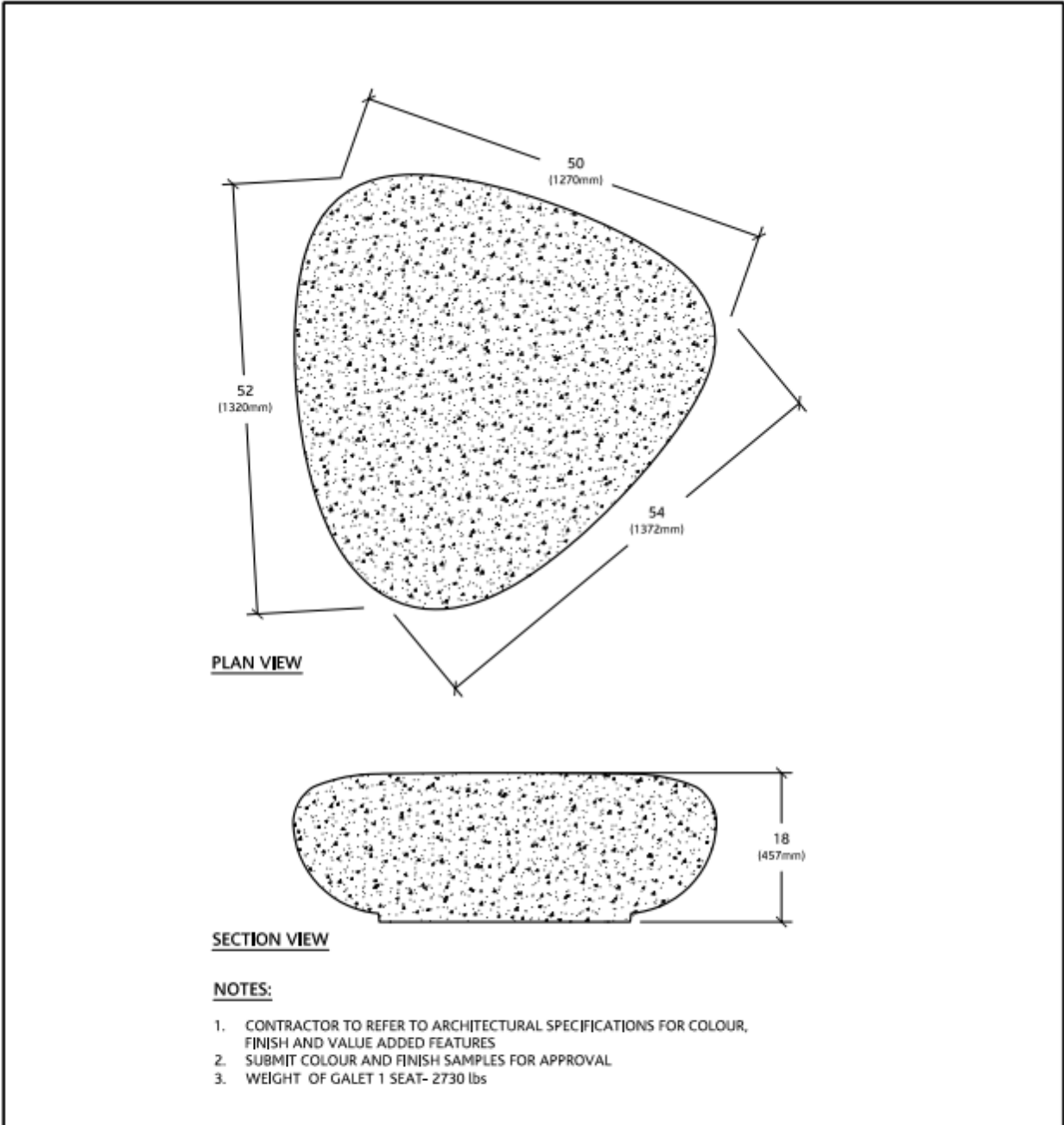
- All drawings, specifications, design and details on this page remain the property of Maglin Site Furniture Inc. and may not be used without Maglin authorization.
 - Details and specifications may vary due to continuing improvements of our products.

APPROVED BY: _____
DATE: _____



Note: It is the responsibility of the signer to ensure that the site dimensions match to product being supplied. Maglin will manufacture to these approved dimensions.

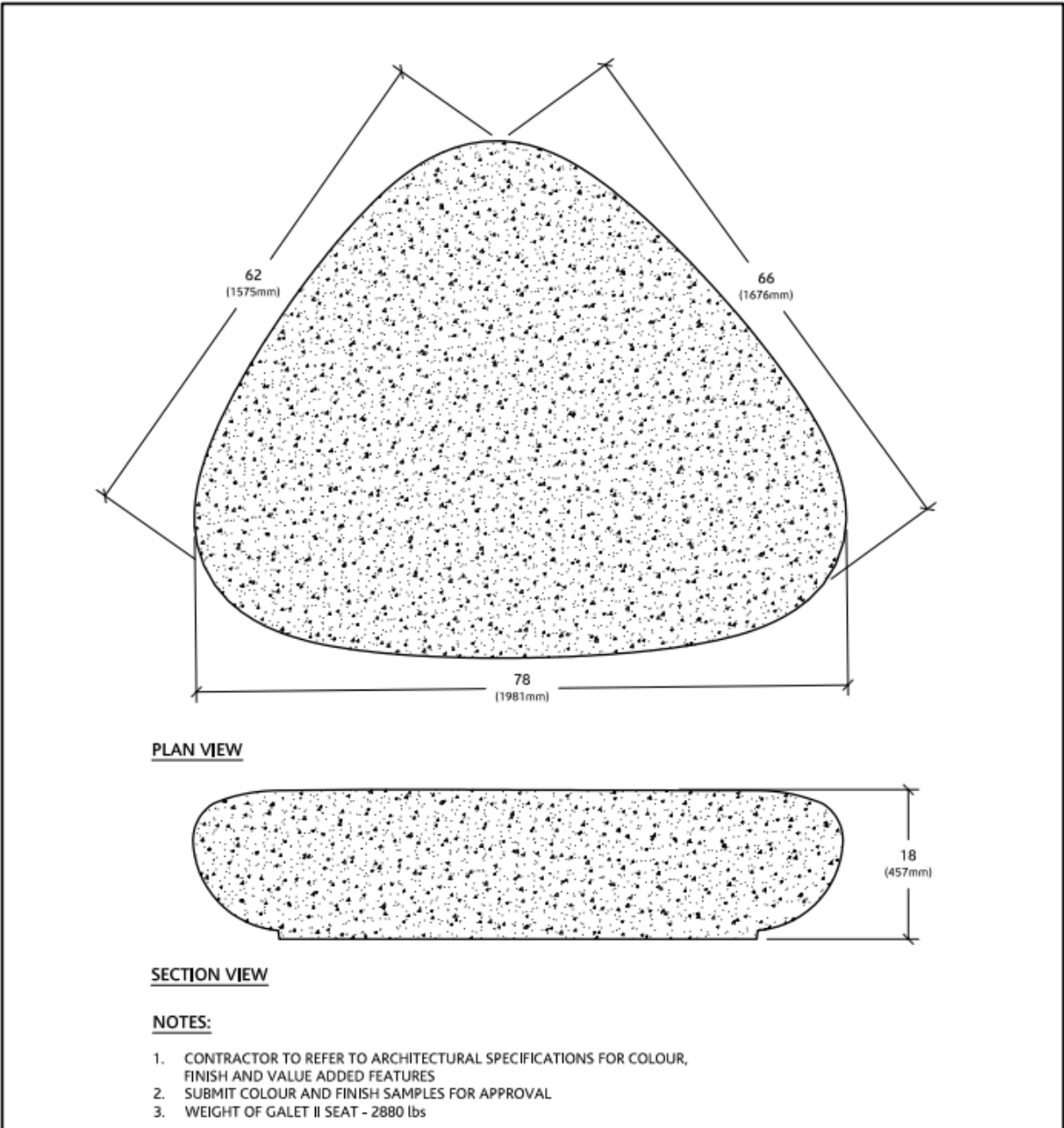


 <p>MAGLIN WWW.MAGLIN.COM</p>	 <p>RELEASE MAGLIN AND ITS ASSOCIATES DO NOT TAKE RESPONSIBILITY FOR THE PRODUCT OR SERVICE IF THE USER DOES NOT FOLLOW THE INSTRUCTIONS OR THE USER DOES NOT READ THE INSTRUCTIONS OR THE USER DOES NOT FOLLOW THE INSTRUCTIONS OR THE USER DOES NOT FOLLOW THE INSTRUCTIONS</p>	<p>FOR INFORMATION ONLY THIS DOCUMENT IS NOT TO BE REPRODUCED OR DISTRIBUTED WITHOUT THE WRITTEN CONSENT OF MAGLIN CORPORATION</p>	<p>DESCRIPTION 970 BENCH, BKLS, 48IN L, CAST AL ENDS, HDPE OP 3LK</p>	<p>WEIGHT 56.98LBS</p>	<p>DATE 2024-12-12</p>	<p>SCALE 1:10</p>
			<p>PART NO. MMP-0970-00048</p>	<p>REV. 0</p>	<p>DATE CUSTOM_MMP 09/0 00048</p>	<p>DESIGNER D01</p>

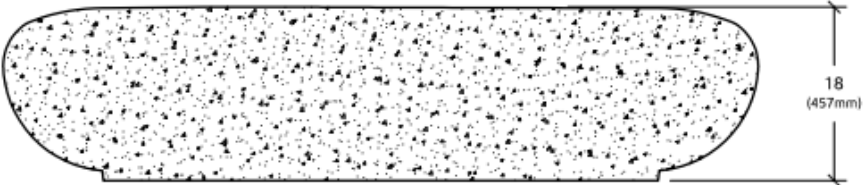


- NOTES:**
- 1. CONTRACTOR TO REFER TO ARCHITECTURAL SPECIFICATIONS FOR COLOUR, FINISH AND VALUE ADDED FEATURES
 - 2. SUBMIT COLOUR AND FINISH SAMPLES FOR APPROVAL
 - 3. WEIGHT OF GALET 1 SEAT- 2730 lbs

	URBASTYLE	
	GALET I	
	ED'S CONCRETE PRODUCTS 1266 ERIE STREET STRATFORD, ONTARIO N4Z 0A1	



PLAN VIEW

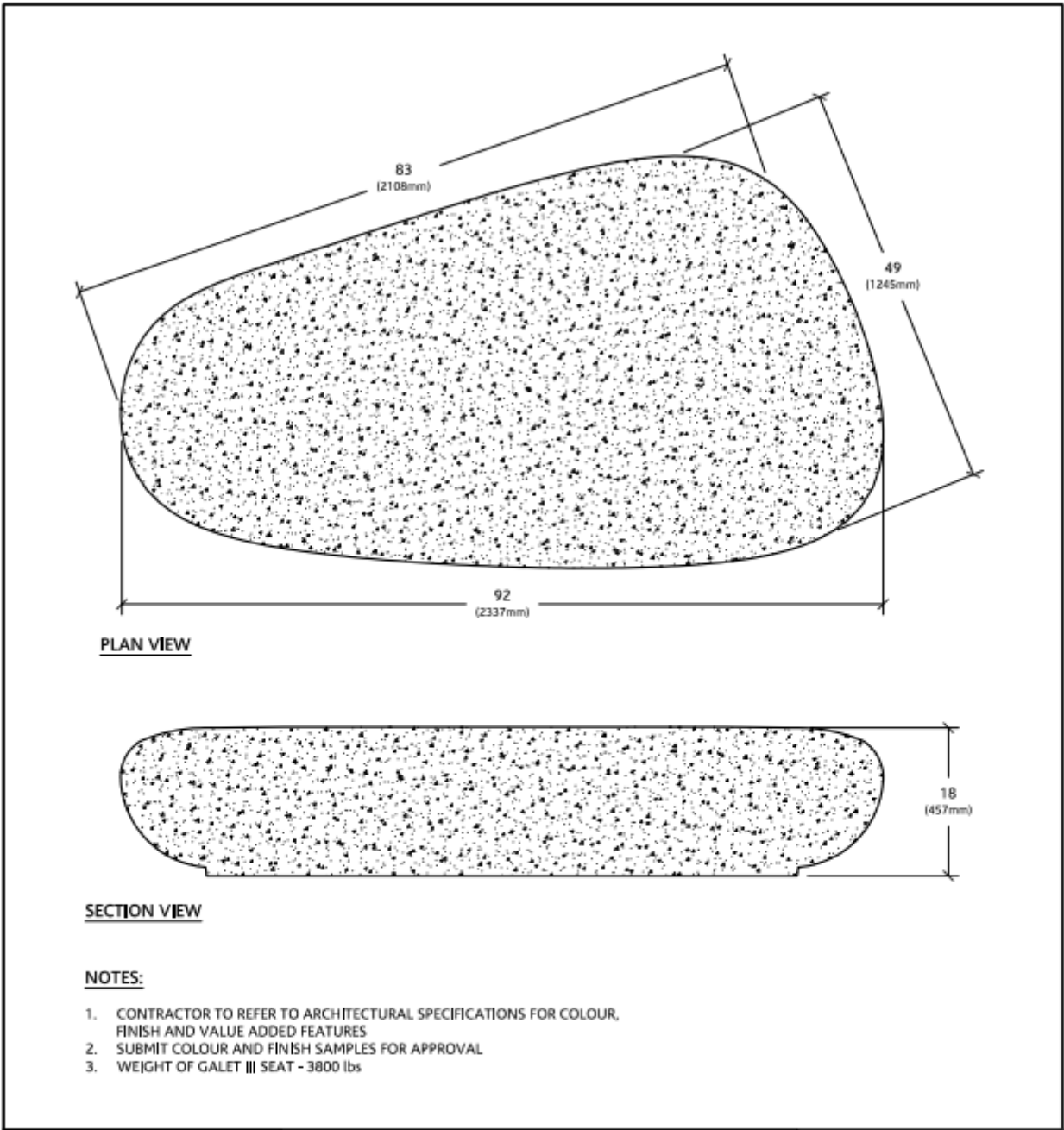


SECTION VIEW

NOTES:

- 1. CONTRACTOR TO REFER TO ARCHITECTURAL SPECIFICATIONS FOR COLOUR, FINISH AND VALUE ADDED FEATURES
- 2. SUBMIT COLOUR AND FINISH SAMPLES FOR APPROVAL
- 3. WEIGHT OF GALET II SEAT - 2880 lbs

	URBASTYLE	
	GALET II	
	ED'S CONCRETE PRODUCTS 1266 ERIE STREET STRATFORD, ONTARIO N4Z 0A1	



PLAN VIEW

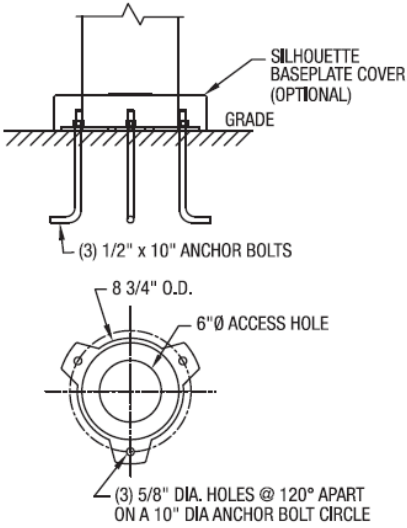
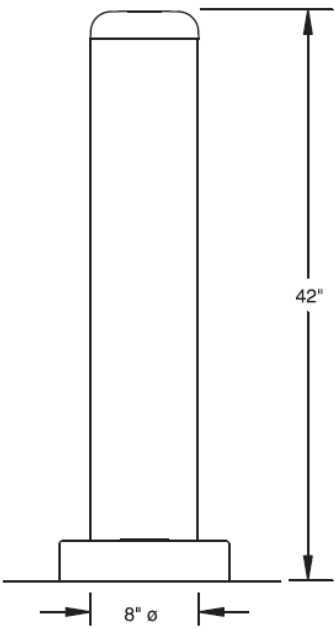
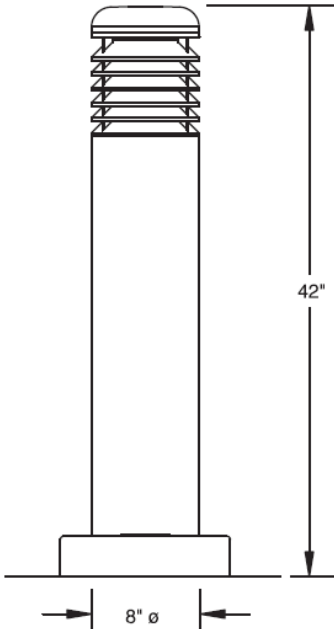
SECTION VIEW

NOTES:

- 1. CONTRACTOR TO REFER TO ARCHITECTURAL SPECIFICATIONS FOR COLOUR, FINISH AND VALUE ADDED FEATURES
- 2. SUBMIT COLOUR AND FINISH SAMPLES FOR APPROVAL
- 3. WEIGHT OF GALET III SEAT - 3800 lbs

	URBASTYLE	
	GALET III	
	ED'S CONCRETE PRODUCTS 1266 ERIE STREET STRATFORD, ONTARIO N4Z 0A1	

Silhouette

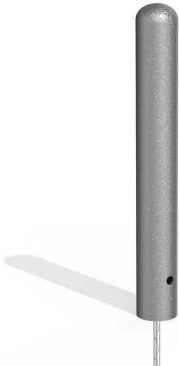


MOUNTING DETAIL #1

500 SERIES

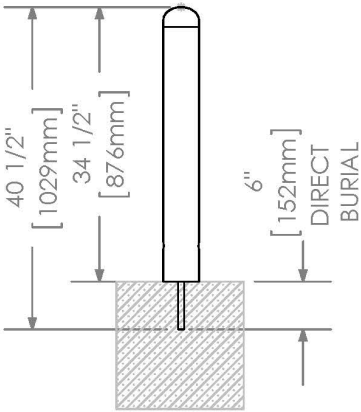
MBO-0500-00004

Legacy # MTB500-B2



- MATERIALS:** The bollard is constructed of H.S. steel tube.
- FINISH:** The bollard is protected with E-Coat rust proofing and finished with the Maglin Powdercoat System.
- INSTALLATION:** Base Type – B2 Threaded rod is set into concrete. Bollard is screwed onto rod and tightened.
- TO SPECIFY:** Select MBO-0500-00004
Choose:
- Powdercoat Color

HEIGHT: 34.5" (87.6cm) DIAMETER: 4.5" (11.4cm) WEIGHT: 32.66lbs (14.8kg)



T 800 716 5506
F 877 260 9393
www.maglin.com
sales@maglin.com

- All drawings, specifications, design and details on this page remain the property of Maglin Site Furniture Inc. and may not be used without Maglin authorization.
- Details and specifications may vary due to continuing improvements of our products.

600 SERIES

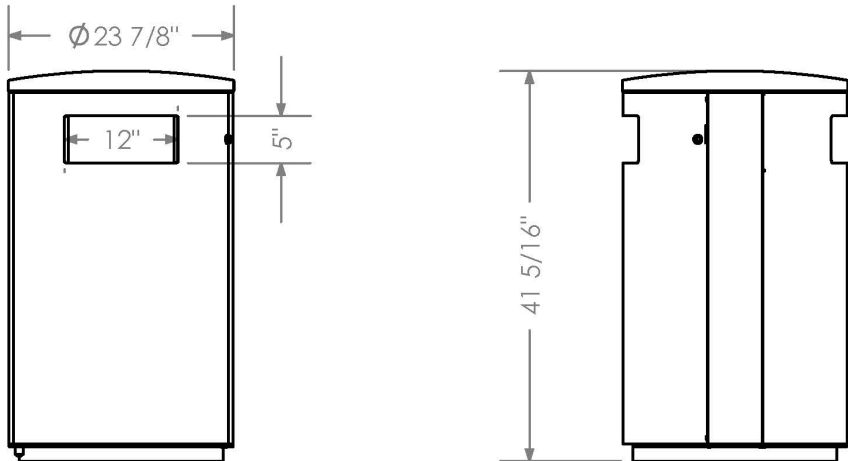
MTR-0650-00011

Legacy # MLWR650-32-M-LBK



- MATERIALS:** This side opening trash container is constructed using laser cut sheet metal. A 32 gallon commercial grade plastic liner and spun metal lid are provided.
- FINISH:** All steel components are protected with E-Coat rust proofing. The Maglin Powdercoat System provides a durable finish on all metal surfaces.
- INSTALLATION:** The trash container is delivered pre-assembled. Holes (0.5") are provided in each mounting foot for securing to base.
- TO SPECIFY:** Select MTR-0650-00011
Choose:
- Powdercoat Color

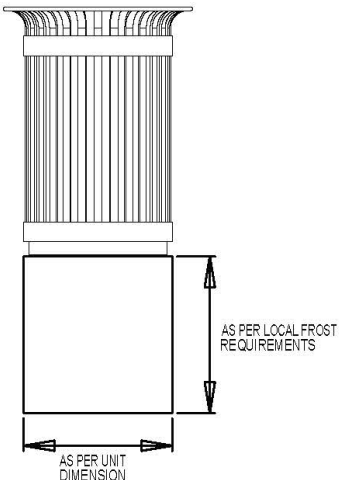
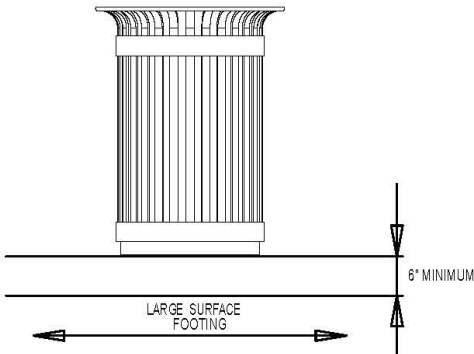
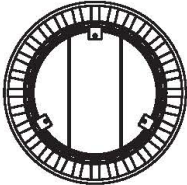

HEIGHT: 41.31" (104.9cm) DIAMETER: 23.9" (60.6cm) WEIGHT: 151.6lbs (69kg) LINER CAPACITY: 32.0gal (121.0L)



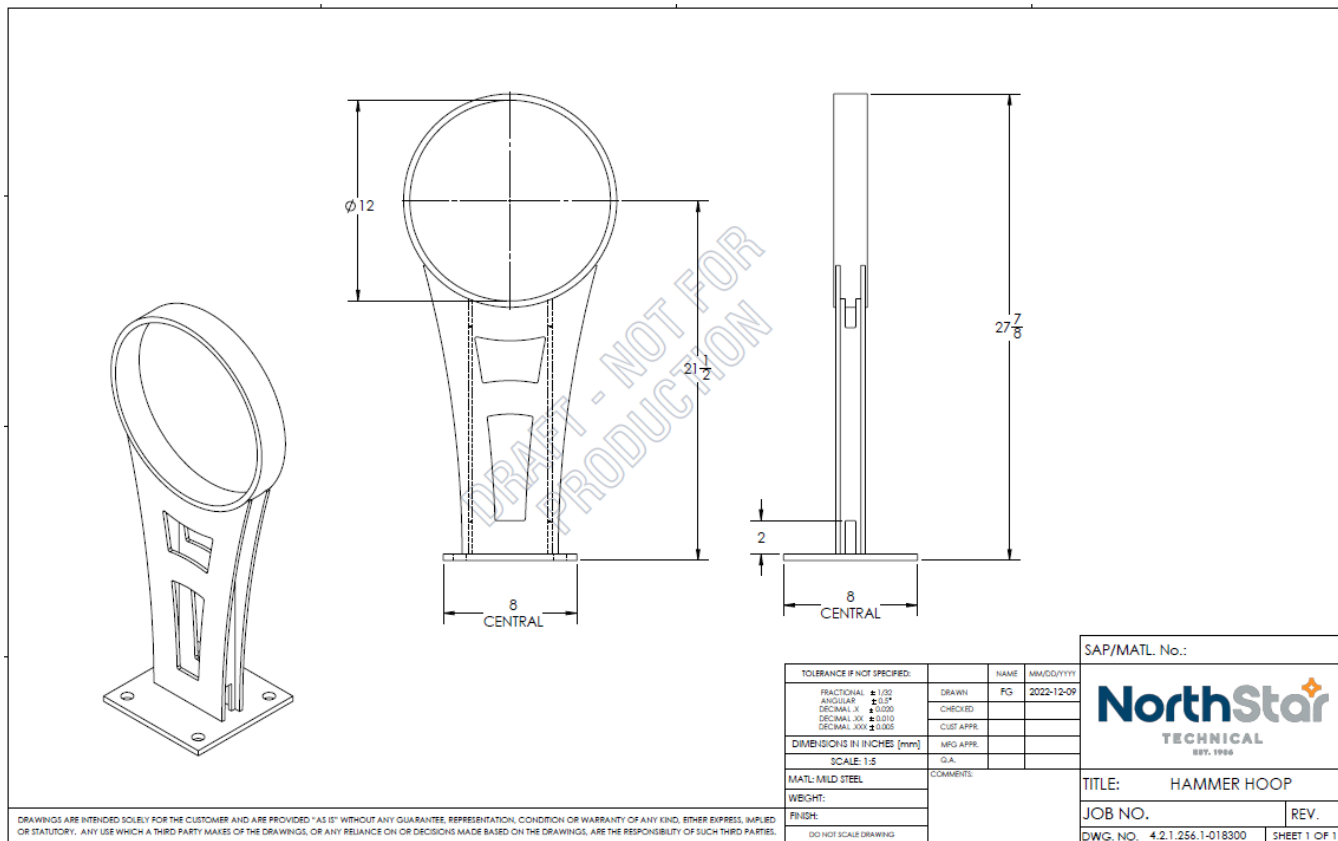
T 800 716 5506
F 877 260 9393
www.maglin.com
sales@maglin.com

- All drawings, specifications, design and details on this page remain the property of Maglin Site Furniture Inc. and may not be used without Maglin authorization.
- Details and specifications may vary due to continuing improvements of our products.

Note: Bin model is for illustration purposes only.

<h2 style="margin: 0;">TRASH CONTAINERS</h2>	<h2 style="margin: 0; color: #E67E22;">TRASH CONTAINER INSTALLATION</h2>
<ul style="list-style-type: none"> Anchoring hole layouts vary slightly by model type. Place trash container on foundation and mark for drilling to ensure proper installation. Unless otherwise noted, there are 3 - 1/2" mounting holes per container. We suggest 3/8" concrete anchors. 	
<h3 style="color: #E67E22;">Concrete Pad</h3> <div style="display: flex; justify-content: space-around;"> <div style="text-align: center;"> <p>OPTION A</p>  </div> <div style="text-align: center;"> <p>OPTION B</p>  </div> </div> <div style="text-align: center; margin-top: 20px;">  <p>MOUNTING FEET</p> </div>	
<h3 style="color: #E67E22;">Paving Stones</h3> <p>Trash Containers can be lagged to the paving stones directly. For a more secure installation, we suggest pouring a concrete footing beneath the pavers. To install furniture, drill through the pavers and into the concrete. Using long lag bolts, furniture can be bolted down through the pavers and lagged into the concrete footing. Concrete footing can also be poured to bring mounting surface up to the same level as the pavers.</p>	
<div style="display: flex; justify-content: space-between; align-items: center;"> <div style="text-align: center;">  <p>MAGLIN™ Site Furniture</p> </div> <div style="text-align: right; font-size: small;"> <p>T 800.716.5506 F 877.260.9393 www.maglin.com sales@maglin.com</p> </div> </div> <p style="font-size: x-small; margin-top: 5px;"> - All drawings, specifications, design and details on this page remain the property of Maglin Site Furniture Inc. and may not be used without Maglin authorization. - Details and specifications may vary due to continuing improvements of our products. </p>	

Note: Specifications for reference; Vendor TBD



ICONIC

MBR-2300-00001



Sustainability Facts

Unit Size One (1) MBR-2300-00001 Bike Rack

Carbon footprint (GWP) 139 kg CO₂-Eq
Measured in kilograms of carbon dioxide equivalent

Total energy use (TPE) 2480 Mj-Eq
Measured in megajoules of energy equivalent

Waster use (WDP) 1.9 m³ water
Measured in cubic metres of water

Material recyclability 100%

LEED v4.1 Credits

- Type III Environmental Product Declaration
- Material Inventory
- Low VOC finishes
- Free of Red List substances

*Full EPD can be referenced for more information:
<https://www.epdregistration.com/maglin/>

DESCRIPTION: 2300 Series - Iconic Bike Rack: Cast Aluminum, Surface Mount, 2 Bike Configuration

FINISH: The Maglin Powdercoat System provides a durable finish on all aluminum castings.

INSTALLATION: The bike rack is delivered in parts. Reference INSTALL_MBR-2300-00001 PDF for more information.

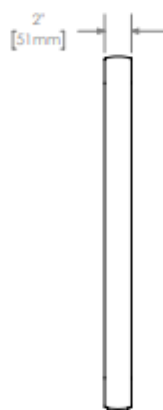
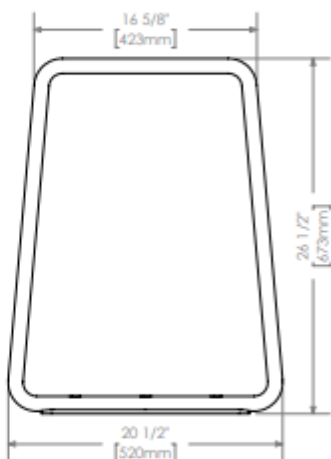
TO SPECIFY: Select MBR-2300-00001
Choose:
- Powdercoat Color

HEIGHT: 26 1/2" (67.3cm)

LENGTH: 20 1/2" (52cm)

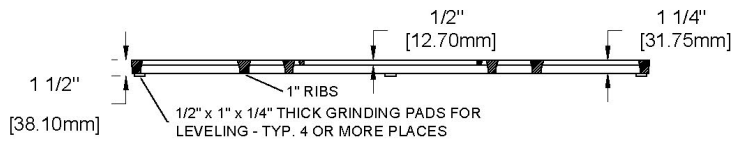
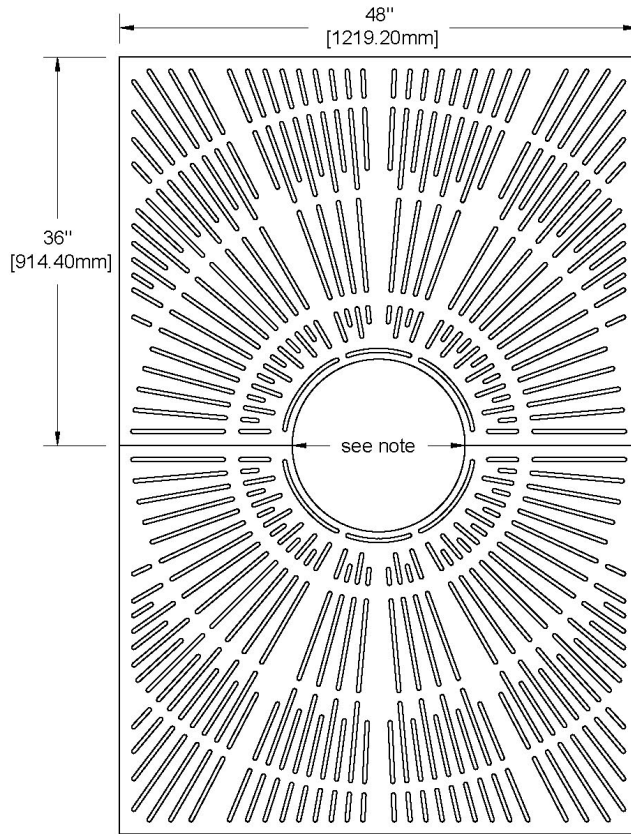
WIDTH: 2" (5.1cm)

WEIGHT: 18 lbs (8kg)



T 800 716 5506
F 877 260 9393
www.maglin.com
sales@maglin.com

- All drawings, specifications, design and details on this page remain the property of Maglin Site Furniture Inc. and may not be used without Maglin authorization.
- Details and specifications may vary due to continuing improvements of our products.



**7222-2
STARBURST
TREE GRATE**

48" x 72" tree grate in two sections.

3/8 Maximum slot opening for pedestrian safety and A.D.A Compliance. For pedestrian loads only.

Cast from 100% recycled gray Iron, Aluminum, or Bronze

Tree opening: 16", 18", 28"
Grates can be ordered with or later expanded to these openings. Please specify when ordering.

Finish: unfinished or Black dip or Enamel paint or Polyurethane Paint or Powder coat
Specify finish and color

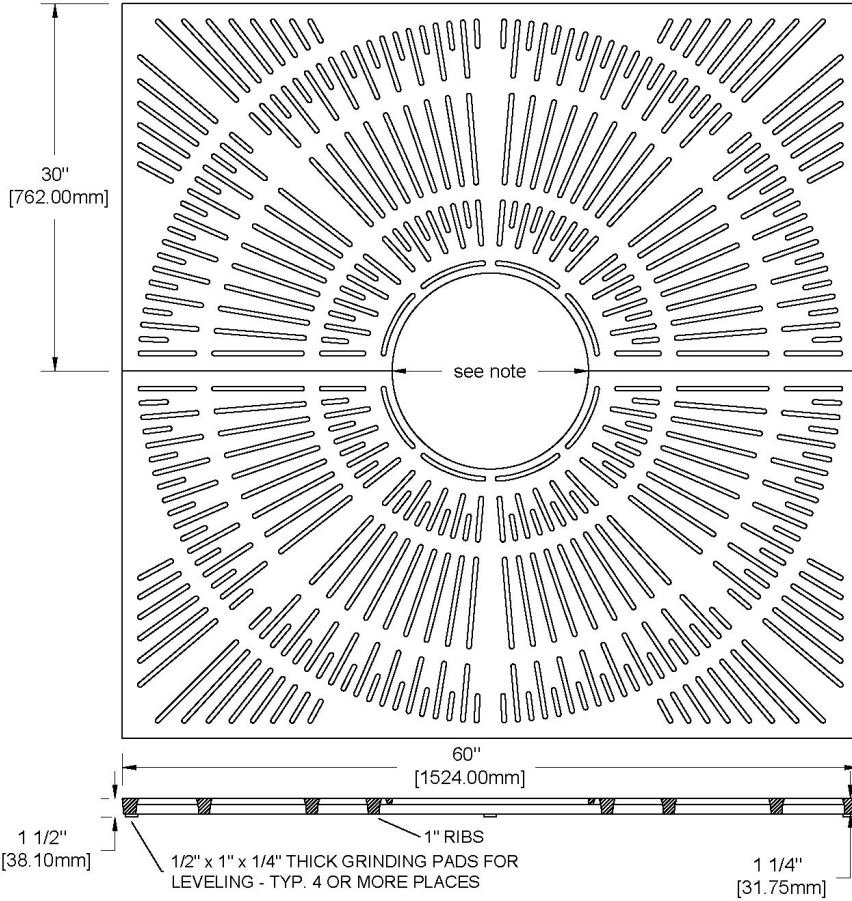
Use frame model: 48X72F

Weight:
Iron= 435 lb/ 198 Kg
Aluminum=152 lb/69 Kg

This drawing embodies a confidential proprietary design of IRONSMITH, INC. Palm Desert, Ca. All design, manufacturing, reproduction, use, sale, and other rights regarding the same are expressly reserved. This drawing is submitted under confidential relationship for a specific purpose and the recipient agrees by accepting this drawing not to supply or disclose any information regarding it to any unauthorized person or to incorporate any special feature peculiar to this design in other projects. The information in this drawing may be covered completely or in part by patents pending.

IRONSMITH

41-701 Corporate Way #3
Palm Desert, CA 92260
800.338.4766



**6018-2
 STARBURST
 TREE GRATE**

60" x 60" Square tree grate in two sections.

3/8 Maximum slot opening for pedestrian safety and A.D.A Compliance. For pedestrian loads only.

Cast from 100% recycled gray Iron, Aluminum, or Cast C854 Copper Alloy.

Tree opening: 16", 18", 28"
 Grates can be ordered with or later expanded to these openings. Please specify when ordering.

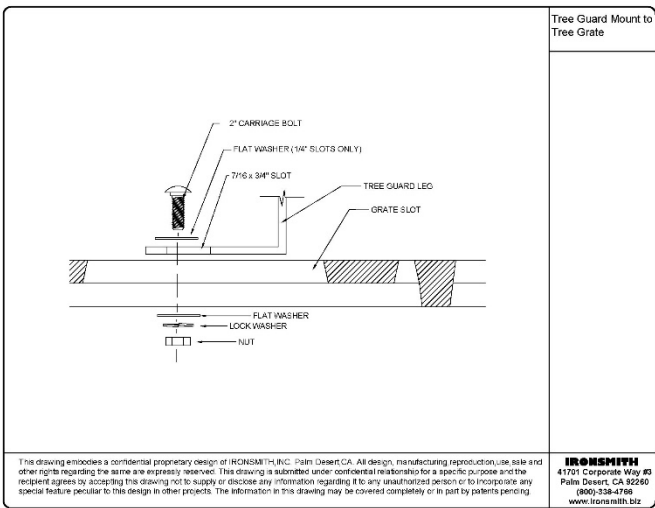
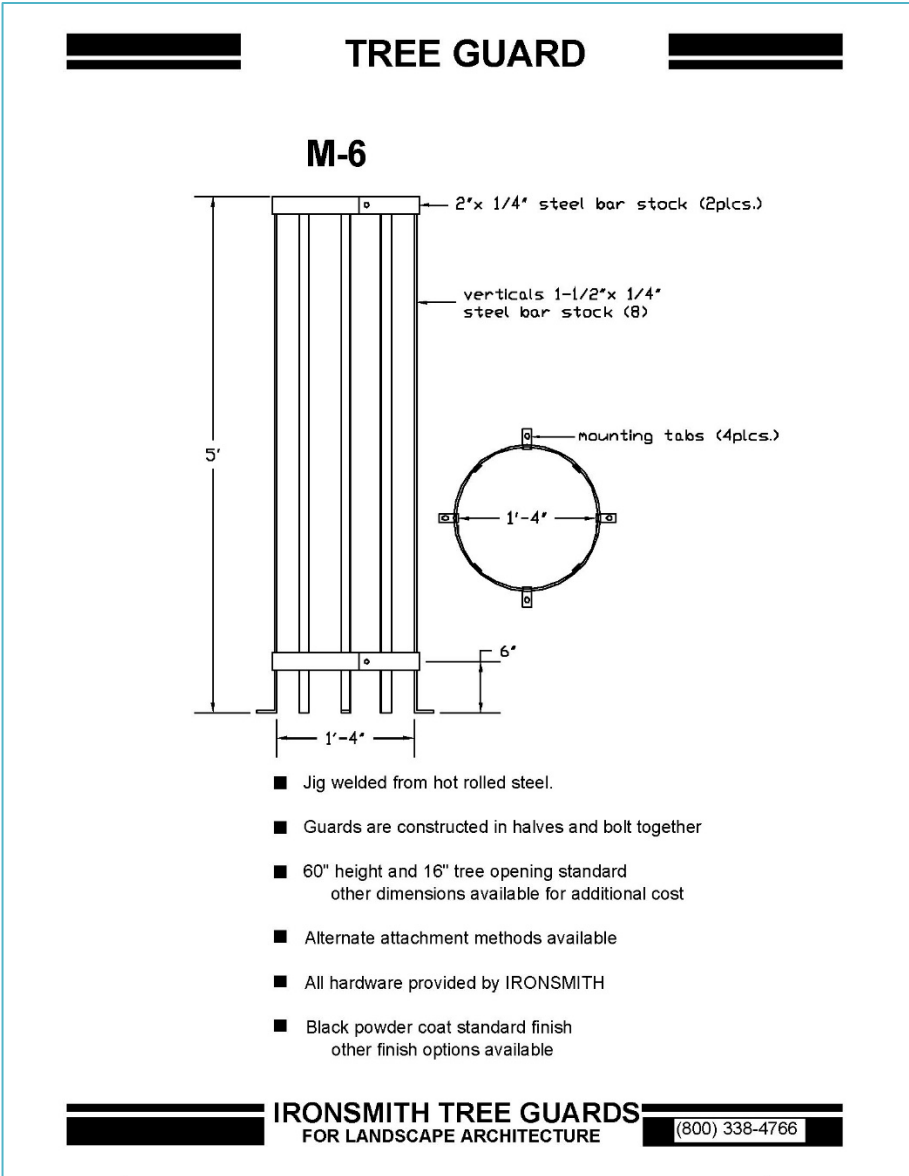
Finish: unfinished or Black dip or Enamel paint or Polyurethane Paint or Powder coat
 Specify finish and color

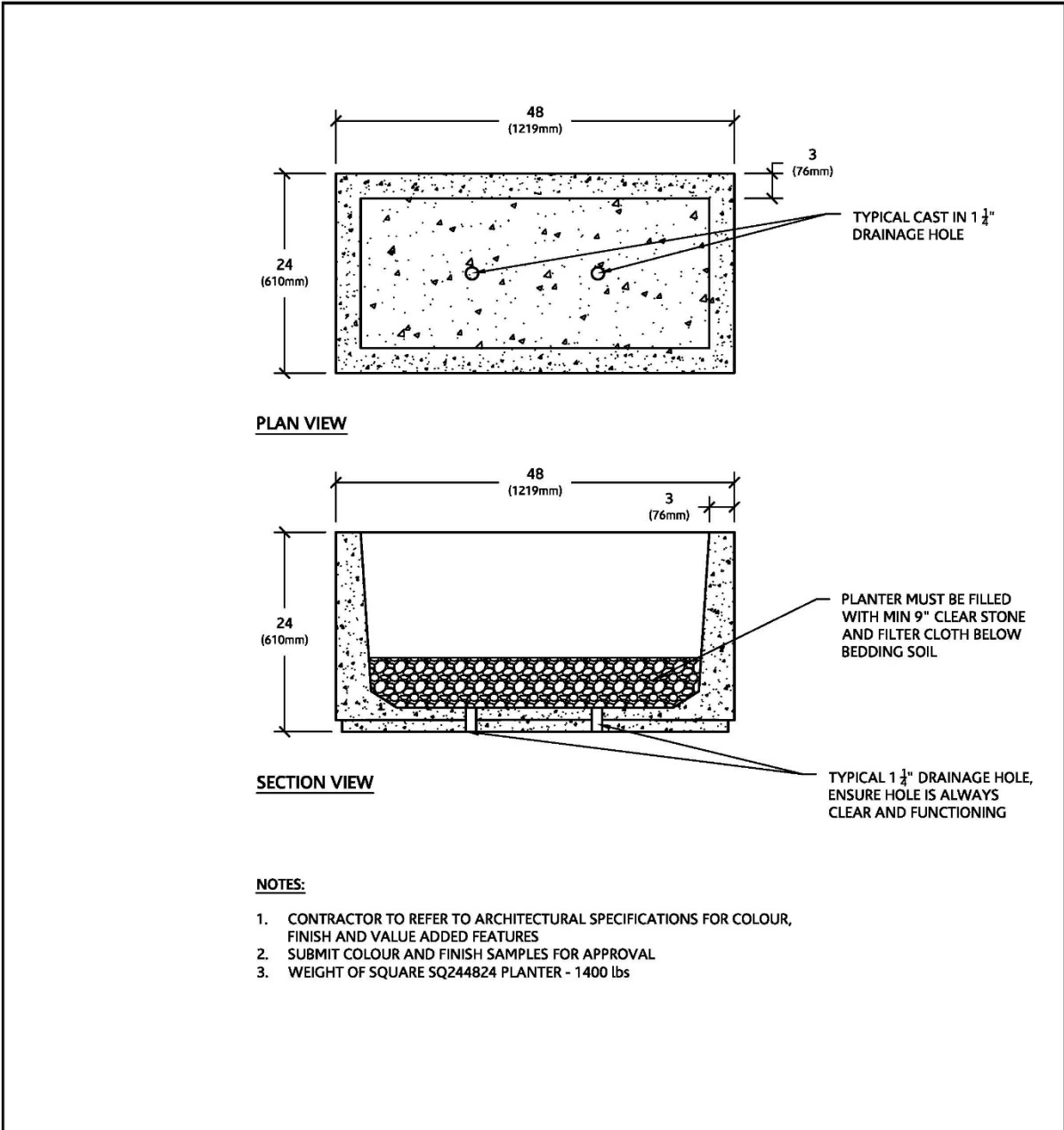
Use frame model: 6000F

Weight:
 Iron= 456 lb/ 207 Kg
 Aluminum=174 lb/79 Kg

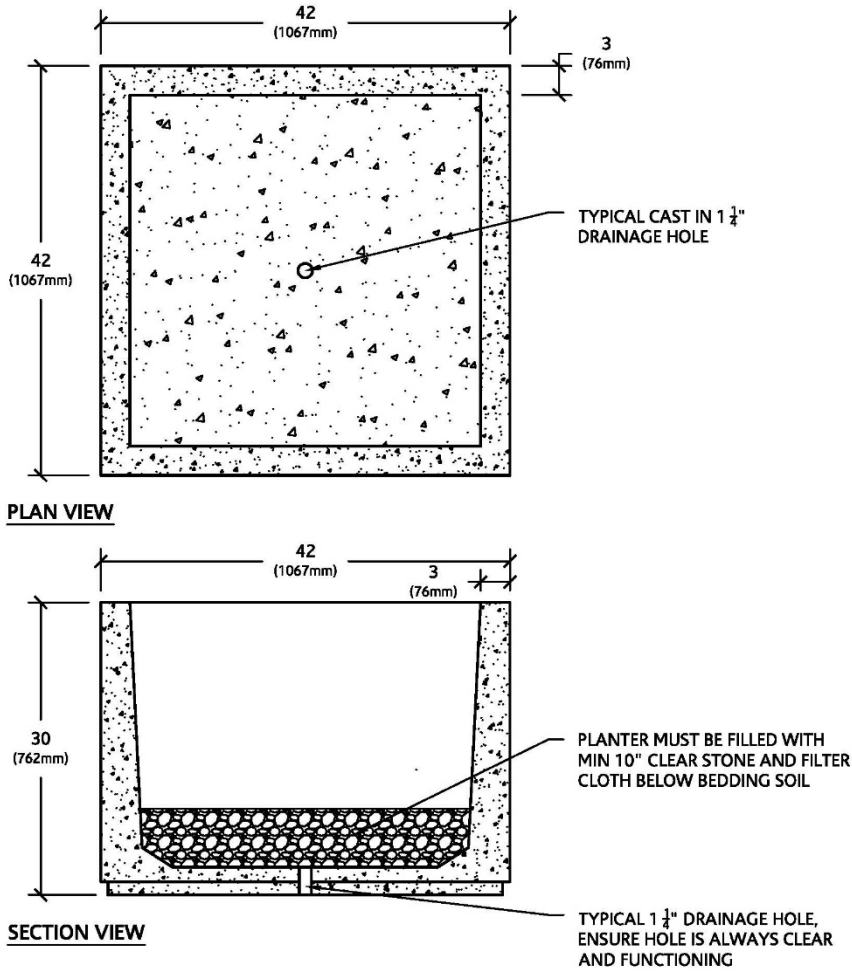
This drawing embodies a confidential proprietary design of IRONSMITH, INC. Palm Desert, Ca. All design, manufacturing, reproduction, use, sale, and other rights regarding the same are expressly reserved. This drawing is submitted under confidential relationship for a specific purpose and the recipient agrees by accepting this drawing not to supply or disclose any information regarding it to any unauthorized person or to incorporate any special feature peculiar to this design in other projects. The information in this drawing may be covered completely or in part by patents pending.

IRONSMITH
 41-701 Corporate Way #3
 Palm Desert, CA 92260
 800.338.4766





	<h2>SQUARE PLANTER</h2>	
	<h3>SQ244824</h3>	
	<p>ED'S CONCRETE PRODUCTS 1266 ERIE STREET STRATFORD, ONTARIO N4Z 0A1</p> <p style="text-align: right;"> 1-877-265-6590 www.edskoncrete.com info@edskoncrete.com </p>	



NOTES:

1. CONTRACTOR TO REFER TO ARCHITECTURAL SPECIFICATIONS FOR COLOUR, FINISH AND VALUE ADDED FEATURES
2. SUBMIT COLOUR AND FINISH SAMPLES FOR APPROVAL
3. WEIGHT OF SQUARE SQ424230 PLANTER - 1500 lbs



SQUARE PLANTER

SQ424230

ED'S CONCRETE PRODUCTS
 1266 ERIE STREET
 STRATFORD, ONTARIO
 N4Z 0A1

1-877-265-6590
 www.edsconcrete.com
 info@edsconcrete.com



1500 SERIES

MPL-1500-00011



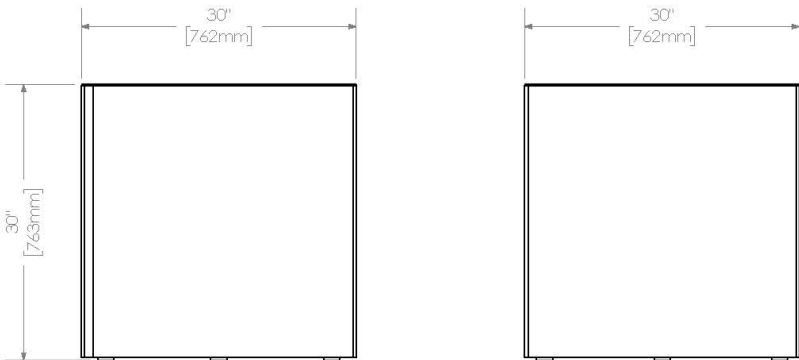
DESCRIPTION: 1500 Series - 1500 Square Planter: 30in H x 30in L x 30in D, Formed Steel Outer Structure, Polyurethane Waterproof Coating

FINISH: All steel components are protected with E-Coat rust proofing. The Maglin Powdercoat System provides a durable finish on all metal surfaces.

INSTALLATION: Planter comes pre-assembled and can be installed freestanding, or surface mounted. A plug in the middle can be removed if drainage is desired.

TO SPECIFY: Select MPL-1500-00011
Choose:
- Powdercoat Color

HEIGHT: 30" (76.2cm) LENGTH: 30" (76.2cm) DEPTH: 30" (76.2cm) WEIGHT: 195.15lbs (88.5kg)



T 800 716 5506
F 877 260 9393
www.maglin.com
sales@maglin.com

- All drawings, specifications, design and details on this page remain the property of Maglin Site Furniture Inc. and may not be used without Maglin authorization.
- Details and specifications may vary due to continuing improvements of our products.

Specification Details*

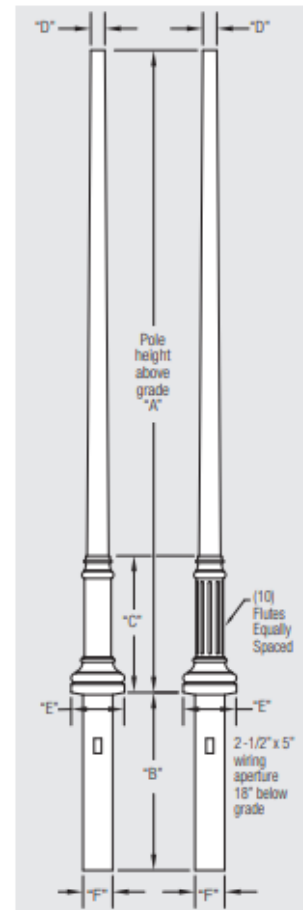
Description	Catalog Number	"A" Pole Height Above Grade	"D" Tip Dimension	"C" Stepped Section Height	"E" Flare	"B" Direct Burial Length & "F" Dia.	Pole Weight Direct Burial	Pole Weight Base Plate
Canterbury 10'	KYC10	10' 0"	6 1/8"	46"	18"	5' 0" x 10"	1000 lbs	795 lbs
Canterbury 13'	KYC13	13' 0"	5 5/8"	46"	18"	5' 0" x 10"	1040 lbs	835 lbs
Canterbury 15'	KYC15	15' 0"	5 1/4"	46"	18"	5' 0" x 10"	1100 lbs	895 lbs
Canterbury 18'	KYC18	18' 0"	4 3/4"	46"	18"	5' 0" x 10"	1170 lbs	965 lbs
Canterbury 20'	KYH20	20' 0"	6 3/4"	56"	22"	5' 0" x 12"	1925 lbs	1655 lbs
Canterbury 25'	KYH25	25' 0"	5 7/8"	56"	22"	5' 0" x 12"	2175 lbs	1905 lbs
Canterbury 30'	KYH30	30' 0"	5"	56"	22"	5' 0" x 12"	2425 lbs	2155 lbs

* Bolded specification details can be found on our website

How to Catalog for Canterbury Concrete Pole

Pole Style	Detail	Finish	Footing Details	Coating
KYC KYH	F – Fluted NF – Non Fluted	E – Elched Finish	DB – Direct Buried FBP – Flush Baseplate SBP – Stub Baseplate	NA – Non Acrylic A – Acrylic AG – Anti Graffiti Coating***
KYH	F	30'	E	40
	Height	Color**	Tenon (Post Top Mount)	Options*
	5' - 30'	10 – Midnight Lace 11 – Eclipse Black 30 – Salt & Pepper 40 – Pearl Gray 90 – Sakuki bronze	Specify Tenon Size For example 140 30/30 = 2 7/8" OD & 3" long	DR – Duplex Receptacle GFI – Ground Fault Duplex Receptacle SR – 1 Outlet LRN – Ladder Rest BPC – Base Plate Cover AB – Anchor Bolts BA – Banner Arms FH – Flag Holders

* Consult website for full listings. ** See decor colors on page 2 for full selection of colors.
***Anti Graffiti Coating is extra, consult factory for more details.



Footing Details

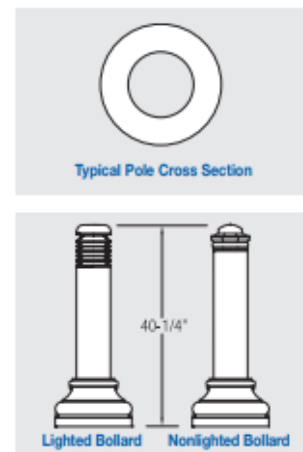
Direct Buried
(Simple and Cost Effective)

1. Auger the setting hole.
2. Set pole in hole and plumb straight.
3. Backfill* with required backfill tamping every 4" to 6".

Baseplate Option 1: FBP

Baseplate Option 2: SBP

*Generally the excavated material can be used for backfill, in some situations better backfill may be required.





K551 ECLIPSE - LED

With its streamlined modern shape, the K551 Eclipse post top luminaire offers a sleek, clean look that is well suited for one of our concrete poles, or aluminum Agility Series poles to complement any contemporary outdoor space.



King Luminaire

PRODUCT SPECIFICATIONS

LED ENGINE

Light engine shall be an array of 36, 42, 54 or 63 solid state Cree X-Series high power LEDs (light emitting diodes) mounted to a multi-sided, vertical heat sink of highly conductive aluminum. The LED emitters are mounted to removable circuit boards such that they are in full thermal contact with the vertical heat sink. The vertical heat sink is open at the bottom and vented at the top to provide appropriate dynamic airflow cooling for the LED array. The emitters are arranged in various patterns on each face of the vertical heat sink to provide the required light distribution.

OPTICS

The LED arrays include optical baffles constructed of optical grade ABS plastic with a vacuum metallized reflective surface or clear acrylic precision refractors over each diode. Both optical options are designed to efficiently control light distribution in IESNA Type IV & V for the B3 and Type III & V for the R1.

LENS

The lens is a heavy duty 1/4" wall clear acrylic tube that has a diameter of 8.75" and is sealed with a closed cell silicone gasket at both ends.

LUMINAIRE CONSTRUCTION

The K551 Eclipse fixture is comprised of two spun aluminum alloy spinnings with a minimum thickness of 0.09" which are permanently affixed to three heavy duty aluminum struts using stainless steel hardware. The base of each strut is attached to the Rotolock™ globe ring with stainless-steel hardware.

The capital shall have an opening at the base tenon body to allow the luminaire to be mounted to a tenon of 3 1/2" maximum diameter. The luminaire shall be locked in place by means of heavy duty, stainless-steel set-screws.

DRIVER

The LED universal dimmable driver will be class 2 and capable of 120 - 277V or 347 - 480V input

voltage, greater than 0.9 power factor, less than 20% total harmonic distortion. The case temperature of the driver can range from -40°C up to 70°C. Each LED system comes with a standard surge protection designed to withstand up to 20kV/10kA of transient line surge as per IEEE C62.41.2 C High. An in-line ferrite choke is utilized to provide protection against EFT's. Dimming capable using 1-10Vdc (10% to 100%), 10v PWM, or resistance.

PHOTOMETRICS

Fixtures are tested to IESNA LM79 specifications. These reports are available upon request.

CHROMATICITY

High output LEDs come standard at 3000K & 4000K (+/- 300K) with a minimum nominal 70 CRI. Additional CCT emitters are available upon request.

LUMEN MAINTENANCE

Reported (TM21) and Calculated (L70) reports are available upon request with a minimum calculated value of 100,000 hrs.

WIRING

All internal wiring and connections shall be completed so that it will be necessary only to attach the incoming supply connectors to Mate-N-Lok connectors or to a terminal block. Mate-N-Lok shall be certified for 600V operation. Internal wire connectors shall be crimp connector only and rated at 1000V and 150°C. All wiring to be CSA certified and/or UL listed, type SFF-2, SEWF-2, or SEW-2 No. 14 gauge, 150°C, 600V, and color coded for the required voltage.

THERMALS

Fixtures tested by a DOE sanctioned test facility to determine the maximum in-situ solder-point or junction-point temperatures of the LED emitters. This report is available upon request.

FINISH

Housing is finished with a 13 step KingCoat™ SuperDurable polyester TGIC powder coat. Standard colors include strobe white,

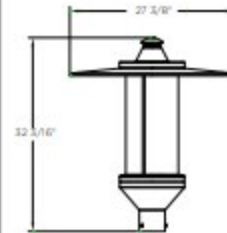
brown metal, marina blue, gate gray, Chicago bronze, standard gold, standard black, federal green and rain forest. Please see our website for a complete list of colors. RAL and custom color matches are available.

MISCELLANEOUS

All exterior hardware and fasteners, wholly or partly exposed, shall be stainless steel alloy. All internal fasteners are stainless steel or zinc coated steel. All remaining internal hardware is stainless steel, aluminum alloy, or zinc coated steel.

WARRANTY

The K551 Eclipse LED luminaire comes with a 7 year limited warranty.



CERTIFICATION:

CSA US Listed
Suitable for wet locations
ISO 9001
IP66
ARRA Compliant
LM79 / LM80 Compliant

DRIVER INFO:

>0.9 Power Factor
<20% Total Harmonic Distortion
120 - 277V & 347 - 480V
-40°C Min. Case Temperature
70°C Max. Case Temperature
Surge Protection: ANSI 136.2
extreme level 20 kV/10 kA
Dimming Capable: 1-10Vdc

EPA:

1.57 sq. ft.

FIXTURE WEIGHT:

39 lbs



Contact King Luminaire for product specifications that are approved from CSA Certification. 08-21-2021



K728 MODERNE JR. - LED

A 3/4 scaled version of the K828, the K728 Moderne Jr. is a sleek, smooth fixture designed to be used on its own in a street or area lighting system, or in combination with its matching K800 luminaire. This allows both roadway and pedestrian concerns to be individually met without any compromise.



King Luminaire

PRODUCT SPECIFICATIONS

LED ENGINE

Light engine shall include an array of 30 solid state Cree X-Series high power LEDs (light emitting diodes). The emitters shall be mounted to a metal core circuit board using SMT technology. The LEDs and circuit boards shall then be mounted to a high performance heat sink which is vented to the outside ambient air to provide dynamic airflow for cooling the system.

OPTICS

External light control shall consist of high precision refractive lenses mounted above the LED emitter arrays in such a way to achieve optimum uplight control. The lenses shall also control horizontal light distribution so that Type II, III, IV or V IESNA distribution patterns are achieved.

LENS

The K728 Moderne Jr. pendant is available with or without a lens. Lens options include; sag glass lens; shallow glass lens; rippled acrylic shallow lens; or rippled acrylic deep dish lens. The glass lens shall be made of #9000 clear borosilicate glass (fully annealed). It shall maintain a minimum thickness of 0.16". The acrylic lens shall be made of rippled acrylic Acrylite Plus Acrylic Polymer, or equivalent, having a minimum thickness of 0.15". The lens is secured by means of a cast A319 aluminum holding ring that is sealed to provide an IP66 Ingress rating. Additionally, a continuous circular gasket rated for 270°F must hold the lens into place within the cast ring assembly and assist in sealing the fixture.

LUMINAIRE CONSTRUCTION

The luminaire shall consist of a heavy cast aluminum housing that acts as the enclosure for the engine and is of adequate thickness to give structural rigidity. The engine must be affixed to the inside of the housing with stainless steel screws.

PLUMBIZER

The K728 Moderne Jr. comes with multiple mounting options including the KPL10, KPL11, KPL20, KPL21, KPL30, KPL31 and KPL40. Please contact King Luminaire for more details and specifications.

DRIVER

The LED universal dimmable driver will be class 2 and capable of 120 - 277V or 347 - 480V input voltage, greater than 0.9 power factor, less than 20% total harmonic distortion. The case temperature of the driver can range from -40°C up to 70°C. Each LED system comes with a standard surge protection designed to withstand up to 20kV/10kA of transient line surge as per IEEE C62.41.2 C High. An in-line ferrite choke is utilized to provide protection against EFT's. The driver assembly will be mounted on a fabricated aluminum bracket to allow complete tool-less maintenance. Dimming capable using 1-10vdc (10% to 100%), 10v PWM, or resistance.

PHOTOMETRICS

Fixtures are tested to IESNA LM79 specifications. These reports are available upon request.

CHROMATICITY

High output LEDs come standard at 3000K & 4000K (+/- 300K) with a minimum nominal 70 CRI. Additional CCT emitters are available upon request.

LUMEN MAINTENANCE

Reported (TM21) and Calculated (L70) reports are available upon request with a minimum calculated value of 100,000 hrs.

WIRING

All internal wiring and connections shall be completed so that it will be necessary only to attach the incoming supply connectors to Mate-N-Lok connectors or to a terminal block. Mate-N-Lok shall be certified for 600V operation. Internal wire connectors shall be crimp connector only and rated

at 1000V and 150°C. All wiring to be CSA certified and/or UL listed, type SFF-2, SEWF-2, or SEW-2 No. 14 gauge, 150°C, 600V, and color coded for the required voltage.

THERMALS

Fixtures tested to DOE sanctioned standards to determine the maximum in-situ solder-point or junction-point temperatures of the LED emitters. This report is available upon request.

FINISH

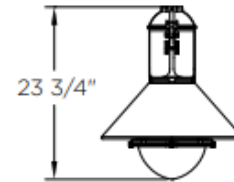
Housing is finished with a 13 step KingCoat™ SuperDurable polyester TGIC powder coat. Standard colors include strobe white, brown metal, marina blue, gate gray, Chicago bronze, standard gold, standard black, federal green and rain forest. Please see our website for a complete list of colors. RAL and custom color matches are available.

MISCELLANEOUS

All exterior hardware and fasteners, wholly or partly exposed, shall be stainless steel alloy. All internal fasteners are stainless steel or zinc coated steel. All remaining internal hardware is stainless steel, aluminum alloy, or zinc coated steel.

WARRANTY

The K728 Moderne Jr. LED luminaire comes with a 7 year limited warranty.



CERTIFICATION:

CSA US Listed
Suitable for wet locations
ISO 9001
IP66
ARRA Compliant
LM79 / LM80 Compliant

DRIVER INFO:

>0.9 Power Factor
<20% Total Harmonic Distortion
120 - 277V & 347 - 480V
-40°C Min. Case Temperature
70°C Max. Case Temperature
Surge Protection: ANSI 136.2
extreme level 20kV/10kA
Dimming Capable: 1-10vdc

EPA:

Flat:	0.55 sq. ft.
Sag Lens:	0.58 sq. ft.
Shallow Lens:	0.67 sq. ft.
Deep Dish Lens:	0.82 sq. ft.

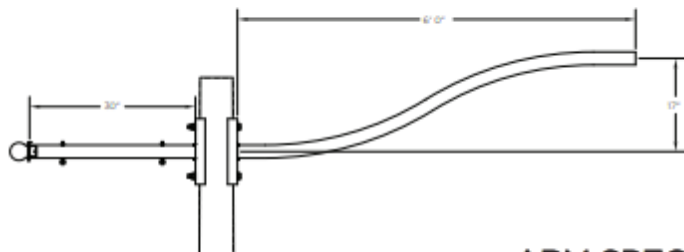
FIXTURE WEIGHT:

Flat:	19 lbs
Sag Lens:	22 lbs
Shallow Lens:	23 lbs
Deep Dish Lens:	23 lbs



Not all product variations listed on this page are DLC qualified. Visit www.designlights.org/search to confirm qualification. 08-11-2021

KA94 // THE BRONTE
DECORATIVE ARM



The King Luminaire KA94 Aluminum Arm is a modern design with minimal detail. This aluminum arm is available in a variety of lengths in single and double arm configurations. The KA94 provides a sleek solution for any street lighting project.

ARM SPECIFICATIONS

MATERIAL:
Aluminum

MOUNTING TYPE:
Side

ARM QUANTITY:
Single

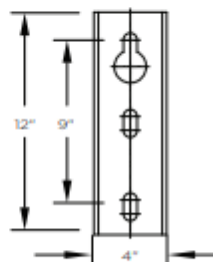
ARM LENGTHS:
6' and 8'

FINISH:
Available in textured or smooth.

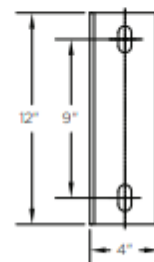
EPA
2.00 - 2.86 sq. ft.

WEIGHT
21 - 27 lbs

MOUNTING TYPES:



Side Mount Details
4" x 1 3/4" x 12"L



Accessory Mount Details
4" x 1 3/4" x 12"L

LEVELING DEVICE:



KPL20



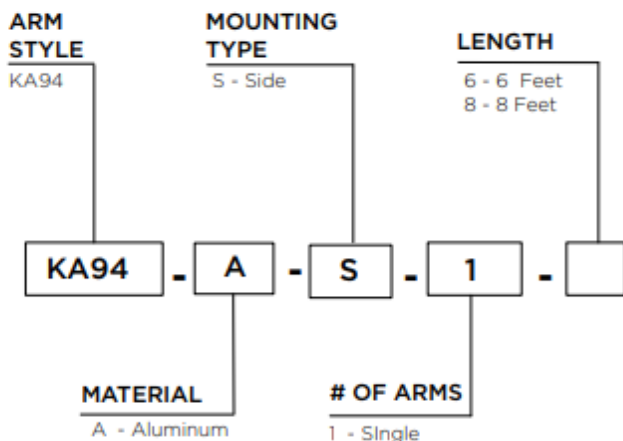
KPL30

*See leveling device spec sheet for more options

ARM DIMENSIONS:

Run	Rise
6'	17"
8'	27 1/8"

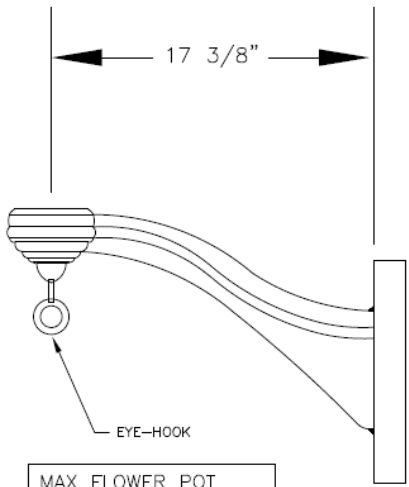
HOW TO ORDER



EPA & WEIGHT

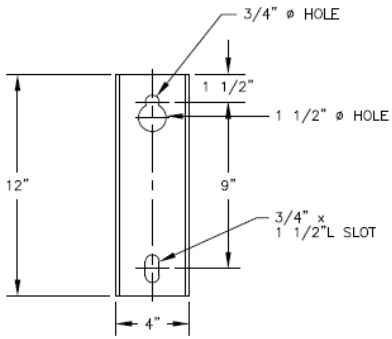
Catalog Number	Mount Type	# Of Arms	L (ft)	EPA (sq ft)	Wt. (lbs)
KA94-A-S-1-6	Side	1	6	2.00	21
KA94-A-S-1-8	Side	1	8	2.86	27

REV.	ALTERATION	DATE	BY



MAX FLOWER POT
WEIGHT OF 50LBS WET

ARM SPECIFICATIONS
 CATALOGUE NO.: K64FPH-S
 QUANTITY:
 MATERIAL: CAST ALUMINUM
 PAINT: TEXTURED BLACK
 OPTIONS:



CHANNEL DETAIL

CUSTOMER APPROVAL & DATE: _____

CUSTOMER ORDER No:	
STRESSCRETE ORDER No:	-
KMFG. ORDER No:	
KING U.S. ORDER No:	-

 King Luminair • StressCrete • Est. 1953 STRESSCRETE GROUP	<i>Manufacturing Locations:</i> Burlington, Ontario 1-800-268-7809 Northport, Alabama 1-800-435-6563 Atchison, Kansas 1-800-837-1024 Jefferson, Ohio 1-800-268-7809			
	PROJECT/CUSTOMER: HAMILTON PARTS			
DRAWN BY: GR	AT: SC1	CHECKED BY:	DATE: 06/12/20	REVISION:
DRAWING TYPE: APPROVAL/MFG. DWG.			DRAWING NUMBER: KSSFF-K118-KA64-5	